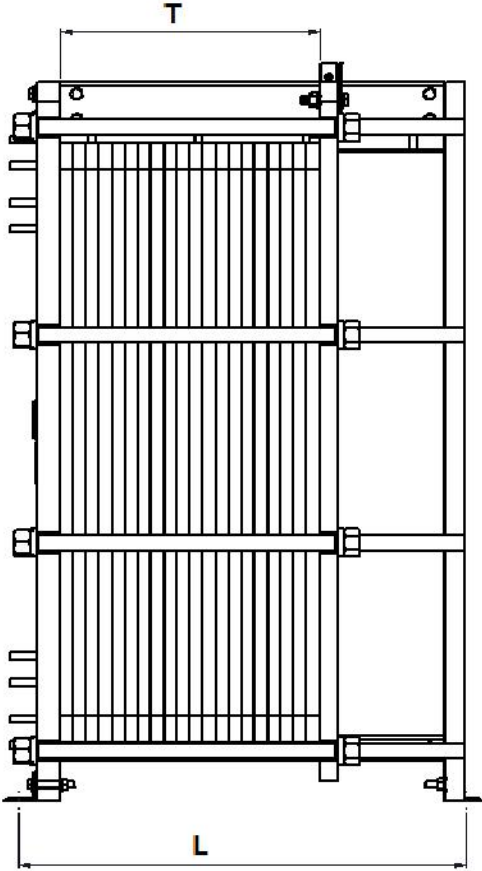
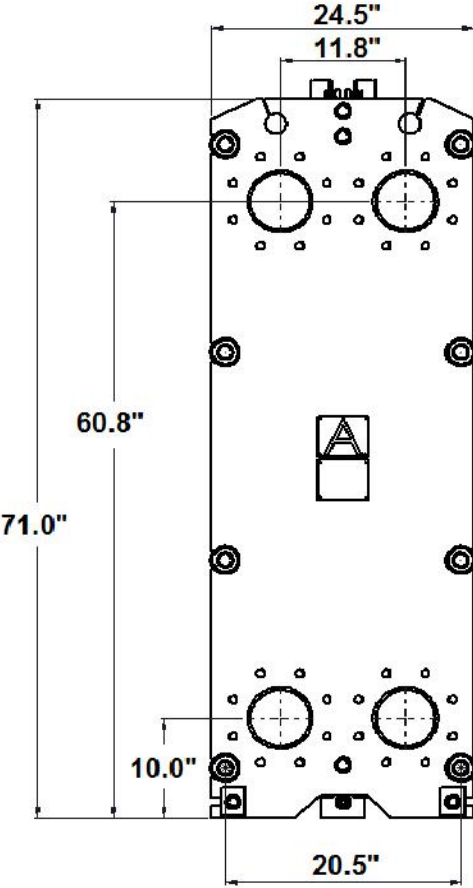




Product: Plate Heat Exchanger

Project: Best Bet Casino	Customer: Wessels
Item No.: HX-1	Quote No.: 15-07889-GT
Model: WP63-84-289	Date: 08/14/2015

Dimensions of One Unit



L: 89.8" T: 34.1"

Construction and Performance

Design	/ Test Pressure	150 / 195	PSI	Connections	Hot Side	Cold Side		
	Design Temperature	320	°F		Size	6"	6"	
	Weight Empty / Full	3582 / 4915	lb		Type	Studded	Studded	
	Frame Size	84			Material	316SS	316SS	
	Number of Plates / Max	289 / 418			Inlet Location	F1	F3	
Materials	Plates / Thickness	SS304 / 0.4	mm	Outlet Location	F2	F4		
	Gaskets	EPDM		Performance	Water	Water		
	Frame Material	Carbon steel			Flow Rate	1,000.0	1,000.0	GPM
	Tightening Bolts	Zinc plated steel			Inlet Temp	90.0	78.0	°F
	Carry Bars	Stainless steel			Outlet Temp	80.0	88.0	°F
	Shroud	Aluminum			Pressure Drop	8.05	8.07	PSI

Certification

ASME Section VIII
 Do not use this drawing for foundation or piping construction.



Product: Plate Heat Exchanger

Project: Best Bet Casino	Customer: Wessels
Item No.: HX-1	Quote No.: 15-07889-GT
Model: WP63-84-289	Date: 08/14/2015

Performance of One Unit

	Hot Side	Cold Side	Units
Fluid Name	Water	Water	
Flow Rate	1,000.0	1,000.0	GPM
Inlet Temperature	90.0	78.0	°F
Outlet Temperature	80.0	88.0	°F
Operating Pressure	0	0	PSI
Pressure Drop	8.05	8.07	PSI
Heat Load	4,990.2		kBtu/h
LMTD	2.0		°F
Heat Transfer Area	2,310.8		ft ²
Excess Surface Area	15.46		%

Physical Properties

Density	62.1	62.1	lb/ft ³
Specific Heat Capacity	1.00	1.00	Btu/lbm,°F
Thermal Conductivity	0.349	0.348	Btu/ft,h,°F
Viscosity In	0.795	0.913	cp
Viscosity Out	0.892	0.813	cp

Construction

No of Plates / Maximum	289 / 418		
No of Passes x Type	1 x 144 H	1 x 144 H	
Connection Size	6	6	in
Connection Material / Type	316SS	316SS	Studded
Inlet / Outlet Location	F1 to F2	F3 to F4	
Plate Material / Thickness	SS304 / 0.4		mm
Gasket Material	EPDM		
Design Pressure / Test Pressure	150 / 195		PSI
Design Temperature Max / Min	320 / 32		°F
Dry Weight / Flooded Weight	3582 / 4915		lb
Liquid Volume	10.68	10.68	ft ³

Certification

ASME Section VIII.

The heat exchanger accuracy is dependent on accuracy of customer data and conformance to specified operating conditions. ©Data revealed in this document is proprietary intellectual information that may not be copied, reproduced, transmitted, communicated or disclosed to a third party without the written consent of the Wessels Company. The data shall be used for evaluating the Wessels proposal.



QUOTATION

101 Tank Street
Greenwood, IN 46143
Tel: 317-888-9800

Date: 08/14/2015
Project: Best Bet Casino
Quote No.: 15-07889-GT

Item No.	Quantity	Description	List Each	List Total
HX-1	1	WP63-84-289 Provide a Wesplate model heat exchanger as listed above and made by Wessels with SS304 plates and EPDM gaskets, 316SS connections and 150 PSI ASME certified design.		

Commercial Terms

Quotation Validity: 30 days
Shipment Terms: FOB, Tiffin, Ohio, Collect or Third Party Bill
Terms of Payment: Net 30 days based on approved credit.
Terms of Sale: Can be found on our homepage www.westank.com

If you have any questions concerning this quotation please contact Sales@westank.com

Thank you for considering Wessels.

Best Regards