

# WESPAC<sup>®</sup> BRAZED PLATE HEAT EXCHANGER

The WesPac<sup>®</sup> Brazed Heat Exchanger is designed to deliver premium performance at an affordable price



SINCE 1908  
**wessels**  
company

# WesPac® Brazed Plate Heat Exchanger

## Quality Performance

The WesPac® Brazed Heat Exchanger is designed to deliver premium performance. Specially constructed heat transfer plates feature a corrugated channeling system that maximizes heat transfer. Hot and cold fluids flow along counter-current paths on either side of the plates resulting in low temperature approaches and the highest heat recovery of any heat exchanger design.

## Solid Construction

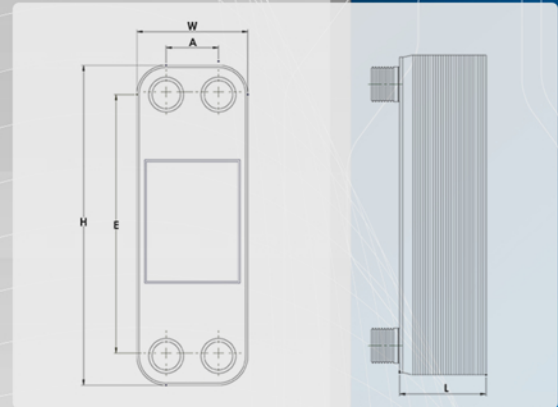
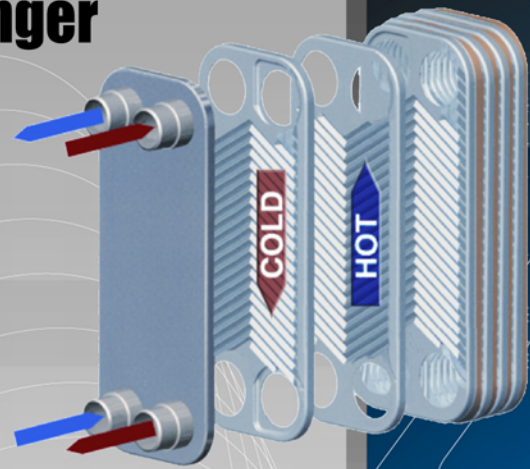
Each unit is manufactured with top-of-the-line, anti-corrosive 316 stainless steel plates and connections. The plates are then bonded together with brazing material, copper or nickel, at thousands of contact points. This brazing process produces an incredibly strong pressure vessel that eliminates the need for gaskets or tubesheet joints, ensuring a long life of trouble-free operation.

## Compact Design

The custom brazed construction and high efficiency design of WesPac® eliminates the need for heavy pressure retaining components, which results in a heat exchanger that is 5 times smaller than conventional units. Fluid volume requirements are also decreased to allow for quicker performance response times and less expense on heat transfer liquids.

## Low Maintenance

The WesPac® Brazed Heat Exchanger is optimized for maximum performance by minimizing assembly parts. Fewer parts, high thermal efficiency, and a compact brazed design make WesPac® a no-nonsense, virtually maintenance-free heat management solution. Most units also have all system connections along a single plane on one end of the vessel, which makes for a less costly and easy installation.



Model Type	Dimensions in inches					Weight empty (lbs.)	Maximum No. of Plates	Plate Area (sq. ft.)	Maximum Flow gpm	Connection Size inches
	H	E	W	A	L					
WB01	7.64	6.06	3.15	1.58	0.39+0.09N	2+0.11N	60	0.13	30	0.75
WB10	12.05	9.84	4.17	1.97	0.49+0.09N	4+0.30N	100	0.29	70	1.00
WB15D	11.97	9.84	4.88	2.76	0.49+0.09N	5+0.30N	100	0.34	70	1.00
WB11	20.55	18.35	4.17	1.97	0.39+0.09N	7+0.48N	120	0.54	70	1.00
WB20	20.79	17.95	9.69	6.85	0.51+0.09N	16+1.1N	160	1.22	150	1.50
WB30	20.75	16.93	9.65	5.83	0.45+0.11N	19+1.1N	140	1.12	327	3.00
WB31	29.6	25.6	12.6	8.7	0.55+0.09N	56+2N	210	1.4	383	3.0



WesPac® is also available in double wall construction for potable water isolation. Please consult factory for more information.



HEADQUARTERS 101 Tank Street, Greenwood, IN 46143  
 TELEPHONE 317-888-9800 FAX 317-888-9988  
 WEBSITE [www.wesselscompany.com](http://www.wesselscompany.com)