



SINCE 1908
wessels
 company

SUBMITTAL

TYPHOON-SERIES
 THYPOON FILTRATION SYSTEM

Models: TFS-8 thru TFS-22

Submittal Sheet No. F-1101A

Date: 10/16

Job Name _____	Submitted By _____	Date _____
Location _____	Approved By _____	Date _____
_____	Order No. _____	Date _____
Engineer _____	Notes _____	
Contractor _____		
Sales Rep. _____		

Description

Wessels TFS-Series Filtration System is engineered to remove solids from liquids. It offers revolutionary filter performance due to an innovative design that utilizes flow diverging technology to separate dense solids before filter contact. These solids accumulate outside of the filters within the unit where they can be easily blown down and removed. System water then passes through the patented (Platinum Series), multi-path, Typhoon filter where specially designed, ultra-efficient pleat cartridges filter the water even further. These two technologies combine to create a system that provides increased dirt holding capacity, longer filter life, and decreased maintenance expenses.

Construction*

Shell: 304 Stainless Steel
 System Connection: 304 Stainless Steel

Performance Limitations

Design Temperature: -20° to 250°F**
 Maximum Design Pressure: 150 PSI***

*316 Stainless Steel and Carbon Steel available

**Reference filter temperature limitations

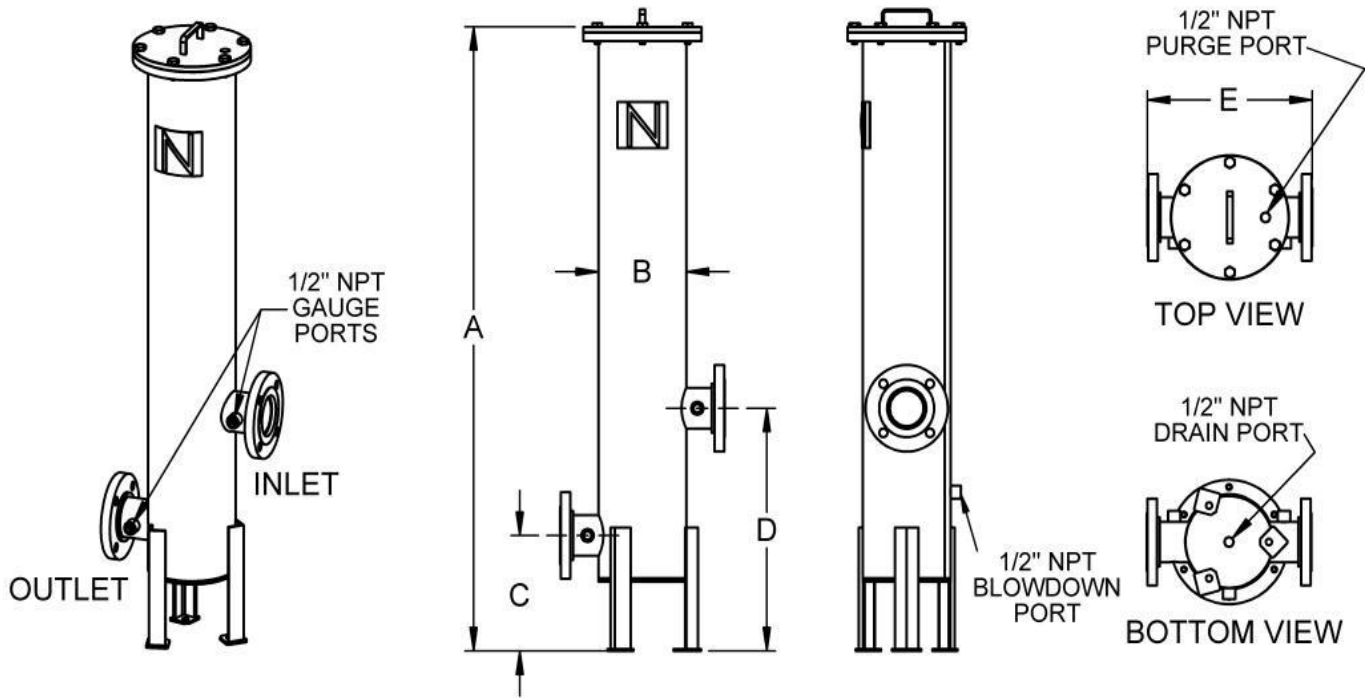
***200 & 250 PSIG available

Model Number	Part Number	Max Flow Rate (GPM)	Tagging Information	Quantity
TFS-8-4S ₁	67510801	80		
TFS-8-1S ₂	67510802	80		
TFS-8-1P ₁	67510803	80		
TFS-14-16S ₁	67511401	320		
TFS-14-3S ₂	67511402	240		
TFS-14-3P ₁	67511403	240		
TFS-14-1P ₂	67511404	300		
TFS-22-42S ₁	67512201	840		
TFS-22-8S ₂	67512202	640		
TFS-22-8P ₁	67512203	640		
TFS-22-1P ₃	67512204	900		

Typical Specification

Furnish and install as shown on plans a _____" diameter x _____" (high) stainless steel cartridge style filtration system rated for _____ GPM flow. The housing is to be integrated with a _____-Series replaceable cartridge style filter element rated to _____micron absolute. The filtration housing shall incorporate a ½" NPT drain, purge, and blow-down port to facilitate full drainage of the unit. The unit is also to include ½" NPT ports on the housing inlet and outlet for means of continuous differential pressure monitoring. The housing must be constructed for 150 PSI working pressure @ 450°F.

Each tank shall be Wessels model number TFS-_____ or approved equal.



Wessels TFS-Series Filtration System

Dimensions & Weights

Model Number	Dimensions In Inches						Number of Filters	Approx Shipping Weight (lbs)
	Inlet/Outlet Connection Size	A	B	C	D	E		
TFS-8-4S ₁	2	56 1/2	8 5/8	10	16	15	4	120
TFS-8-1S ₂							1	
TFS-8-1P ₁								
TFS-14-16S ₁	4	60 1/4	14	12	22	26	16	175
TFS-14-3S ₂							3	
TFS-14-3P ₁							1	
TFS-14-1P ₂								
TFS-22-42S ₁	8	65 1/2	22	15	30	34	42	225
TFS-22-8S ₂							8	
TFS-22-8P ₁								
TFS-22-1P ₃							1	

Filter Legend

- S₁= AB Series 2 1/2" Diameter Filter
- S₂= AB Series 6 1/4" Diameter Filter
- P₁= 740 Platinum Series Filter
- P₂= 940 Platinum Series Filter
- P₃= 2040 Platinum Series Filter

Notes

- Includes 10µ Polypro filter(s).
- Other connection sizes available