

SINCE 1908
wessels
 company

SUBMITTAL

SS-SPA-S SERIES

SEVERE SERVICE AIR SEPARATOR WITH STRAINER

Models: SS-SPA-2S to SS-SPA-24S

Submittal Sheet No. D-1004B Rev. 2 10/4/2019

Job Name _____	Submitted By _____	Date _____
Location _____	Approved By _____	Date _____
_____	Order No. _____	Date _____
Engineer _____	Notes _____	_____
Contractor _____	_____	_____
Sales Rep. _____	_____	_____

Description

Wessels Severe Service SPA ASME Vortex type Air Separators are designed for systems that require more corrosive resistance than standard carbon steel. SPA separators eliminate air quickly and efficiently from open and closed loop heating/cooling systems. Water enters and exits through unique "tangential" connections, which promote a low velocity swirling effect in the center of the unit. Natural centrifugal forces allow the heavier air-free water to move toward the outer edges while entrained air is captured within the "eye" of the vortex and released out of the top of the separator. The bubble-free water then exits near the bottom of the unit, protecting the systems against the noise, corrosion, and damage commonly caused by entrained air. SPA units also include system strainer.

Construction:

Shell: 304 Stainless Steel*
 Heads: 304 Stainless Steel*
 Strainer: Stainless Steel

Design Parameters:

Maximum Design Pressure: 125 PSIG**
 Temperature Range: -20°F to 450°F

*316L Stainless Steel Available

**200 & 250 PSIG Available

MODEL NUMBER	PART NUMBER	MAX FLOW (GPM)	TAGGING INFORMATION	QUANTITY
SS-SPA-1.5-S	72060015	35		
SS-SPA-2-S	72060020	56		
SS-SPA-2.5-S	72060025	90		
SS-SPA-3-S	72060030	190		
SS-SPA-4-S	72060040	300		
SS-SPA-5-S	72060050	530		
SS-SPA-6-S	72060060	850		
SS-SPA-8-S	72060080	1900		
SS-SPA-10-S	72060100	3200		
SS-SPA-12-S	72060120	4800		
SS-SPA-14-S	72060140	6100		
SS-SPA-16-S	72060160	8000		
SS-SPA-18-S	72060180	9700		
SS-SPA-20-S	72060200	12000		
SS-SPA-22-S	72060220	15000		
SS-SPA-24-S	72060240	17000		

Typical Specification

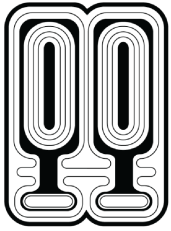
Furnish and install, as shown on plans, a 304 stainless steel vortex type air separator model SS-SPA _____-S sized for _____ GPM, with _____" (NPT/Flanged) tangential connections, as manufactured by Wessels Company. A blowdown connection shall be provided to facilitate routine cleaning of the unit. The tank must be constructed in accordance with most recent addendum of Section VIII Division 1 of the ASME Boiler and Pressure Vessel Code, and shall be constructed and stamped for 125 PSI working pressure @ 450°F. Products comply with NSF/ANSI Standard 61.

Each air separator shall be Wessels model number SS-SPA _____-S or approved equal.



SINCE 1908
wessels
 company

101 Tank Street Greenwood, IN 46143
 P: 317-888-9800 F: 317-865-7411
 www.westank.com

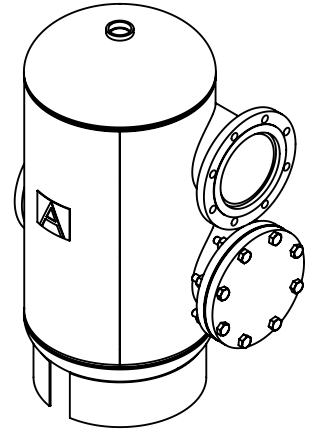
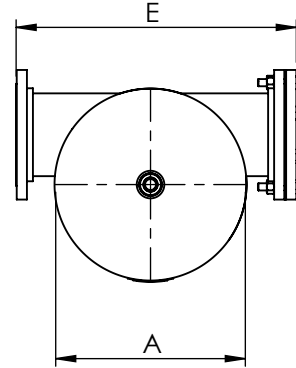
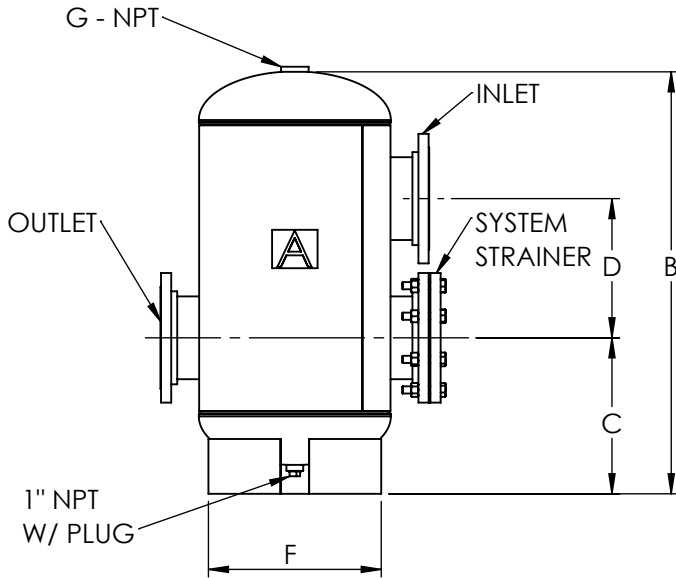


SINCE 1908
wessels
 company

SUBMITTAL

SS-SPA-S SERIES
 SEVERE SERVICE AIR SEPARATOR WITH STRAINER

Models: SS-SPA-2S to SS-SPA-24S
 Submittal Sheet No. D-1004B Rev. 2 10/4/2019



SS-SPA-1.5S thru SS-SPA-24S

Dimensions & Weights:

Model Number	Dimensions in Inches								Approx. Shipping Weight (lbs)
	Connection Size	A	B	C	D	E	F	G	
SS-SPA-1.5-S	1.5 NPT	4 1/2	12	4	4	9	4	3/4	23
SS-SPA-2-S	2 NPT	12 3/4	26 1/2	10 1/2	8 1/2	16 5/8	9 1/2	1 1/4	34
SS-SPA-2.5-S	2.5 NPT								37
SS-SPA-3-S	3								45
SS-SPA-4-S	4	14	32	12 1/8	10 3/4	21 3/4	11 1/2	1 1/2	80
SS-SPA-5-S	5								35
SS-SPA-6-S	6	20	44	16 1/4	14 1/2	28	18	2	175
SS-SPA-8-S	8								210
SS-SPA-10-S	10								460
SS-SPA-12-S	12	30	60 1/2	21 1/2	20	41	24	577	
SS-SPA-14-S	14	36	78	24 1/2	31 1/2	46 3/8	30	850	
SS-SPA-16-S	16	48	108	38	40	60	38	1858	
SS-SPA-18-S	18	54	124	41	50	66	44	2490	
SS-SPA-20-S	20	60	138	42 1/2	60	72	50	3346	
SS-SPA-22-S	22	66	150	46	66	78	56	3879	
SS-SPA-24-S	24					80		4211	

Notes:

- Mounting Clips Available Upon Request
- Flanged connection is standard unless otherwise specified.



SINCE 1908
wessels
 company

101 Tank Street Greenwood, IN 46143
 P: 317-888-9800 F: 317-865-7411
 www.westank.com