

CF SERIES

WesFlo® CF Series ASME (U or UM)
Single and Multi-round Cartridge
Filter Vessels Accommodate
High Flow Rates & High Particulate
Retention

APPLICATIONS

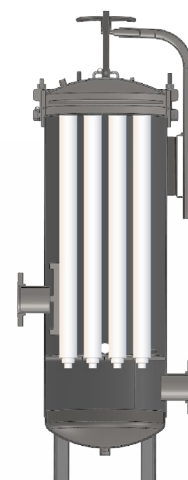
Water
Potable Liquids
Oil (petroleum, hydraulic, etc.)
Lubricants
Concentrated Alkalis
Dilute Acids & Alkalis
Mineral Acids
Organic Acids
Oxidizing Agents
Chemicals
Solvents
Inks/Paints/Coatings
Pulp & Paper
Industrial

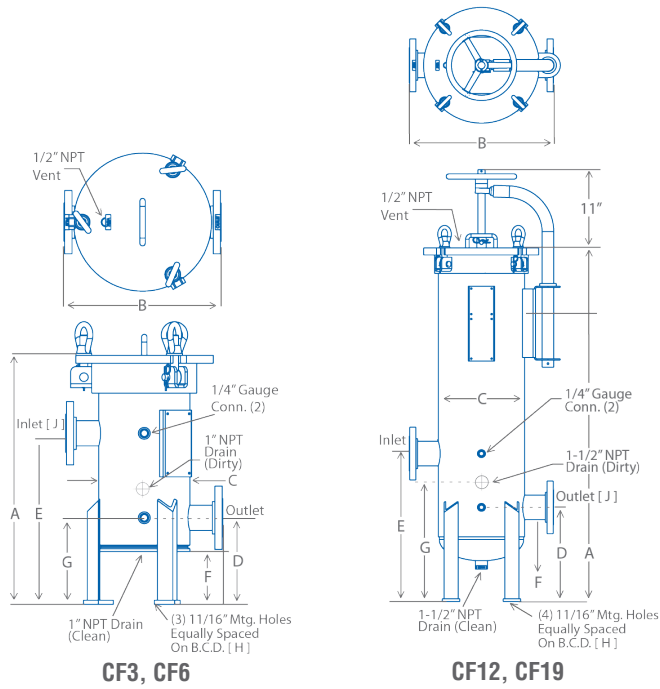


WesFlo® single and multi-cartridge filter vessels meet a broad range of liquid and gas applications. Designed to handle flow rates of up to 2,040 gpm (7,722 lpm), the WesFlo® CF Series cartridge filter vessels accommodates double open-end (DOE) and single open-end (SOE) cartridges in lengths of 10 in., 20 in., 30 in. and 40 in. All aspects of design, materials, construction and workmanship of the CF Vessel Series conform to ASME code. (Also available in non-ASME code design and construction.)

BENEFITS

- Designed and fabricated in accordance with ASME Boiler & Pressure vessel code (U or UM stamp)
- Non-code design and construction available (parallel to code standards)
- Standard design pressure is 150 psi (10.3 bar) and 300 psi (20.7 bar). Higher design pressures available
- Available in carbon steel, 304 stainless steel or 316L stainless steel
- Single O-ring seal closure design assures quick, positive cover seal
- Swing bolts for easy closure
- Buna-N standard O-ring with optional Viton®, Neoprene, EPDM and Fluoropolymer elastomers available
- Mechanical cover lift of carbon construction on models CF12 thru CF52, hydraulic cover lift of carbon steel construction on models CF85 and CF102 (available on all models as option)
- Designed for minimum pressure drop
- Dual purpose cartridge seats for use with double open-end (DOE) and single open-end (SOE) / 2-222 O-ring filter cartridges
- Other materials available





MAX DESIGN TEMPS	
CARBON STEEL	500°F (260°C)
304 SST	300°F (150°C)
316 SST	400°F (204°C)
GASKET	250°F (121°C)

CLOSURE O-RING GUIDE	
MATERIAL	MAX TEMP
NITRILE (BUNA-N)**	250°F (121°C)
EPDM (EPR)	300°F (149°C)
FKM (VITON®)	400°F (204°C)

** NITRILE O-ring is standard

Note: Wessels also offers non-code cartridge filter vessels. For more information, please refer to the 4NCF datasheet.

MODEL	(NO.) & CARTRIDGE LENGTH (in.)	MAXIMUM FLOW * (gpm)	DIMENSIONS (in.)									SHIPPING WEIGHT (lbs)
			A**	B	C	D	E	F	G	H	J	
CF3-1-2F	(3) 10	15	26.69	12.69	6.63 O.D.	8.19	16.19	5.00	11.31	5.81	2	125
CF6-1-2F	(6) 10	30	26.94	14.88	8.63 O.D.	8.19	16.19	5.06	11.31	7.81	2	180
CF6-2-2F	(6) 20	60	37.00	14.88	8.63 O.D.	8.19	16.19	5.06	11.31	7.81	2	185
CF6-3-2F	(6) 30	90	47.06	14.88	8.63 O.D.	8.19	16.19	5.06	11.31	7.81	2	200
CF6-4-2F	(6) 40	120	58.50	14.88	8.63 O.D.	8.19	16.19	5.06	11.31	7.81	3	220
CF12-3-3F	(12) 30	180	53.75	20.50	12.06 I.D.	13.38	21.00	5.00	12.00	11.68	3	310
CF12-3-4F	(12) 30	180	53.75	20.50	12.06 I.D.	13.38	21.00	5.00	17.88	11.68	4	315
CF12-4-4F	(12) 40	240	60.31	20.50	12.06 I.D.	13.38	21.00	5.00	17.88	11.68	4	330
CF19-3-4F	(19) 30	285	50.19	23.50	15.06 I.D.	13.38	21.00	5.00	17.88	14.75	4	420
CF19-4-4F	(19) 40	380	60.31	23.50	15.06 I.D.	13.38	21.00	5.00	17.88	14.75	4	440
CF25-3-4F	(25) 30	375	55.88	26.00	18.06 I.D.	15.50	28.00	5.00	20.44	17.76	4	515
CF25-4-6F	(25) 40	500	69.75	26.00	18.06 I.D.	16.50	31.00	5.00	22.25	17.76	6	540
CF35-3-4F	(35) 30	525	58.19	29.25	20.06 I.D.	16.50	31.00	5.00	22.56	19.77	4	640
CF35-3-6F	(35) 30	525	58.19	29.25	20.06 I.D.	16.50	31.00	5.00	22.56	19.77	6	645
CF35-4-6F	(35) 40	700	68.25	29.25	20.06 I.D.	16.50	31.00	5.00	22.56	19.77	6	695
CF40-3-6F	(40) 30	600	60.25	30.75	22.06 I.D.	18.00	32.00	5.00	23.31	21.70	6	810
CF52-3-4F	(52) 30	780	63.69	33.38	24.06 I.D.	20.50	34.00	5.00	27.56	23.72	4	855
CF52-3-6F	(52) 30	780	63.69	33.38	24.06 I.D.	20.50	34.00	5.00	27.56	23.72	6	865
CF52-4-8F	(52) 40	1040	73.69	33.38	24.06 I.D.	20.50	34.00	5.00	27.56	23.72	6	900
CF85-3-8F	(85) 30	1275	67.25	39.75	30.06 I.D.	24.00	40.00	6.00	31.50	29.81	8	1170
CF84-4-8F	(85) 40	1700	73.63	39.75	30.06 I.D.	24.00	40.00	6.00	31.50	29.81	8	1200
CF102-3-8F	(102) 30	1530	68.63	42.25	32.06 I.D.	23.63	41.25	6.00	31.69	31.81	8	1450
CF102-4-8F	(102) 40	2040	79.94	42.25	32.06 I.D.	23.63	41.25	6.00	31.90	31.81	8	1600

* Actual flow rate is dependent on fluid viscosity, micron rating, contaminant and media type. Consult flow charts for each application.

** Add 5 in. to this dimension for hydraulic cover lift

ORDERING INFORMATION

MATERIAL		DESIGN SERIES		FILTER SERIES		# OF COLUMNS		CARTRIDGE LENGTH		INLET / OUTLET		CONNECTION TYPE		COVER LIFT	
OMIT	CARBON STEEL	OMIT	ASME / 150 psi	CF	1 CARTRIDGE OR MULTIPLE CARTRIDGES	3	6	1	10 in.	2	2 in. ANSI	F	ANSI SORF	OMIT	NO COVER LIFT
4	304 SST	H	ASME / 300 psi			12	19	2	20 in.	3	3 in. ANSI	OMIT	NPT	K1	MECHANICAL
6	316 SST	N	Non-ASME			25	35	3	30 in.	4	4 in. ANSI			K2	HYDRAULIC
						40	52	4	40 in.	6	6 in. ANSI				
						85	102			8	8 in. ANSI				



SINCE 1908
wessels
company

101 Tank Street Greenwood, IN 46143
P: 317-888-9800 F: 317-865-7411
www.westank.com