

## 4NCF SERIES

WesFlo<sup>®</sup> 4NCF Series  
Multi-Cartridge Filter Vessels  
304 Stainless Steel  
Non-ASME code design

### APPLICATIONS

Water  
Potable Water  
Process Water  
Lubricants  
Solvents  
Coolants  
Edible Oils  
Cutting Oils  
Coatings



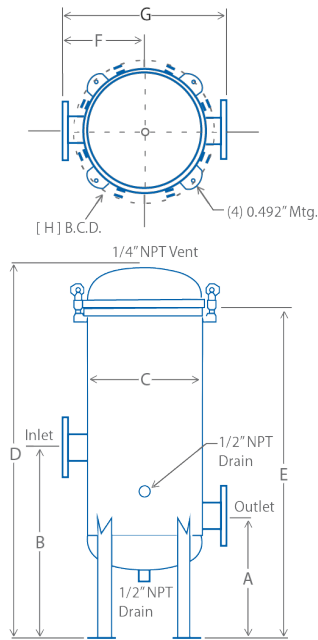
The WesFlo<sup>®</sup> 4NCF non-code, multi-cartridge filter vessels provide an economically efficient means of filtration for a wide variety of liquid applications. With a lightweight, externally polished stainless steel design, these vessels also include a swing bolt closure and internal positive pressure cartridge alignment and sealing plates.

The 4NCF vessels accommodate double open-end (DOE) and single open-end (SOE) filter cartridges in lengths of 10 in., 20 in., 30 in. or 40 in. These vessels are manufactured from polished and passivated 304 stainless steel and rated for 150 psi (10.3 bar). All hardware is stainless steel for additional corrosion resistance.

### BENEFITS

- Non-ASME code design
- Maximum operating pressure is 150 psi at 300°F
- Convertible design allows for use of both double open-end (DOE) and single open-end (SOE) filter cartridges
- Single O-ring seal closure design assures quick, positive cover seal
- Swing bolts with eye nuts for fast, easy access
- Available with NPT or ANSI B16.5 flanged connections
- EPDM seals are offered as standard with other seal materials available
- Standard NPT vents and drains
- Standard stainless steel cartridge support and sealing hardware
- Interior and exterior surfaces are pickled/passivated for enhanced corrosion allowance
- Exterior surfaces are polished for aesthetic purposes
- Designed for minimum pressure drop

# 4NCF



TYPICAL AQUEOUS FLOW*		
MODEL	CARTRIDGE QTY	CAPACITY (gpm)
4NCF5-1-2	5 x 10"	25
4NCF5-2-2	5 x 20"	50
4NCF5-3-2	5 x 30"	75
4NCF5-4-2	5 x 40"	100
4NCF7-3-2	7 x 30"	105
4NCF7-4-2	7 x 40"	140
4NCF11-3-3F	11 x 30"	165
4NCF11-4-3F	11 x 40"	220
4NCF19-3-4F	19 x 30"	285
4NCF19-4-4F	19 x 40"	380

\*Flow based on 5 gpm water per 10 in. length

MATERIAL OF CONSTRUCTION	MAX. ALLOWABLE PRESSURE (MAP)	MAX. ALLOWABLE TEMP. (MAT)
304 SST	150 psi (10.3 bar)	300°F (149°C)

CARTRIDGE CONFIGURATIONS	
222 O-RING SOE	FLAT
	PP SPRING CLOSED END
	FLEX FIN
GASKET SOE	FIN
	PP SPRING CLOSED END
DOE	STANDARD

CLOSURE O-RING GUIDE	
MATERIAL	MAX TEMP
NITRILE (BUNA-N)	250°F (121°C)
EPDM (EPR)**	300°F (149°C)
FKM (VITON®)	400°F (204°C)

\*\*EPDM is standard

MODEL	DIMENSIONS (in.)								SHIPPING WEIGHT (lbs)
	A	B	C	D	E	F	G	H	
4NCF5-1-2	9.85	15.75	8.00	29.33	26.00	6.00	12.00	12.40	180
4NCF5-2-2	9.85	19.69	8.00	39.17	35.84	6.00	12.00	12.40	180
4NCF5-3-2	9.85	23.63	8.00	49.00	45.67	6.00	12.00	12.40	200
4NCF5-4-2	9.85	27.56	8.00	59.25	55.91	6.00	12.00	12.40	200
4NCF7-3-2	11.81	27.56	10.00	51.77	47.64	7.00	14.00	14.57	650
4NCF7-4-2	11.81	31.50	10.00	62.00	57.87	7.00	14.00	14.57	670
4NCF11-3-3F	14.17	27.56	12.00	55.71	50.79	9.14	18.27	16.54	720
4NCF11-4-3F	14.17	35.43	12.00	65.16	60.24	9.14	18.27	16.54	740
4NCF19-3-4F	15.75	31.50	15.91	58.47	52.56	11.90	23.79	23.79	700
4NCF19-4-4F	15.75	35.43	15.91	67.52	61.61	11.90	23.79	23.79	1105

## ORDERING INFORMATION

4		N		CF		-					
MATERIAL		RATING		SERIES		CARTRIDGE QTY.		CARTRIDGE LENGTH		INLET / OUTLET	
4	304 SST	N	Non-ASME	CF	CARTRIDGE FILTER	10 in.	20 in.	30 in.	40 in.	2	2 in. NPT
5	1	2	3	4	2	2 in. NPT					
7	1	2	3	4	2	2 in. NPT					
11	-	-	3	4	3F	3 in. ANSI					
19	-	-	3	4	4F	4 in. ANSI					



SINCE 1908  
**wessels**  
company

101 Tank Street Greenwood, IN 46143  
P: 317-888-9800 F: 317-865-7411  
www.westank.com